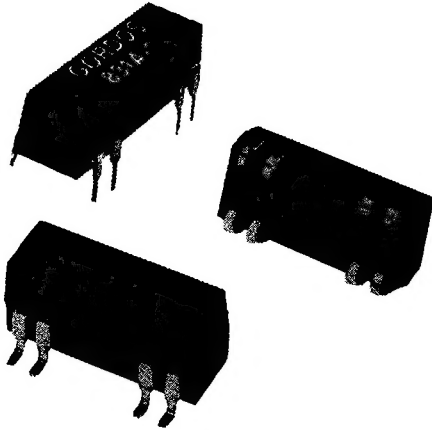


# GORDOS

## REED RELAYS

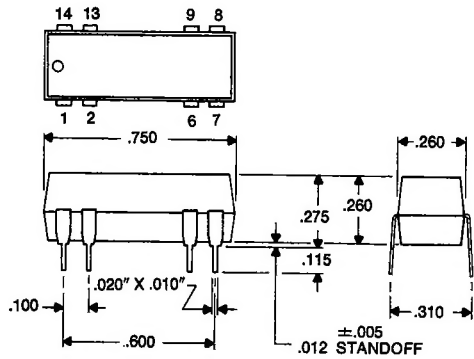
### 83 SERIES MOLDED DIP THRU-HOLE AND SURFACE MOUNT DRY REED RELAYS



#### FEATURES:

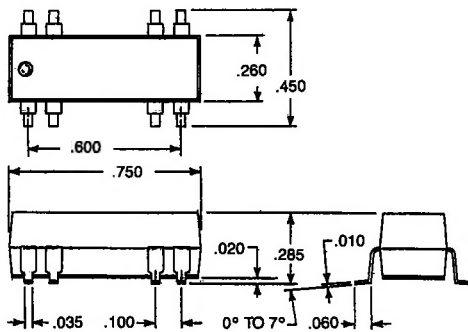
- Choice of Gull or J-Lead Surface Mount or Thru-hole Configuration
- Surface Mount Versions Pass High Reliability Steam Aging Solderability Test
- Surface Mount Versions Compatible with IR Reflow Systems
- 94V-O Flammability Rating
- Form A, 2A, B or C Contacts
- Logic Compatible 5, 12 or 24 Volt Operation
- Available with or without Diodes
- Compatible with Automatic Insertion
- Semiconductor Grade Molding Compounds
- -20° C to 85° C Operating, -20° C to 100° C Storage Temperature Ranges

#### THRU-HOLE

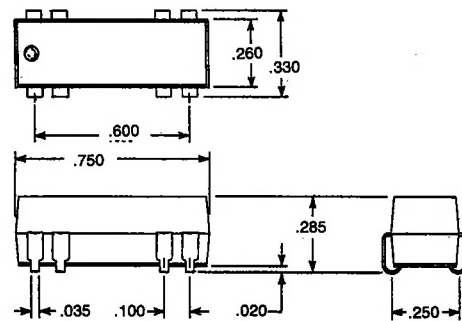


(DIMENSIONAL TOL. ±.010" TYP.)

#### THRU-HOLE



GULL LEAD



"J" LEAD

Products and specifications subject to change without notice.  
Consult factory for application assistance.

1000 N. SECOND ST., ROGERS, AR 72756 USA / TEL: 800-643-3500 / 501-636-5000 / FAX: 501-636-2305

# GORDOS

## REED RELAYS

### 83 SERIES MOLDED DIP THRU-HOLE AND SURFACE MOUNT DRY REED RELAYS

Nominal Coil Voltage DC	5	12	24
Must Operate Voltage DC	3.8	9.0	18.0
Must Release Voltage DC	0.5	1.2	2.4
Maximum Voltage DC (3)	10	20	35

Contact Arrangement		1 Form-A		(3) Form-B	Form-C		
Model Type		831A	832A	831B	831C	835C	836C
Max. Switching DC <sup>(2)</sup>	Watts	10		10	3		
	Volts	200		200	30		
Max. Current DC (amps)	Switch	0.5		0.5	0.2		
	Carry	1.5		1.5	0.5		
Max. Initial Contact Resistance (ohms) <sup>(1)</sup>		0.200		0.200	0.200		
Min. Breakdown Voltage DC	Across Contacts	250		250	200		
	Contact to Coil	750		750	750		
Capacitance (typical) pF	Across Contacts	1.0		—	1.5		
	Contact to Coil	2.0		3.8	2.0		
Insulation Resistance (typical ohms)		10 <sup>10</sup>		10 <sup>10</sup>	10 <sup>8</sup>		
Operate Time (typical mSec) Including Bounce Except Form-B		0.5		0.5	1.0		
Release Time (typical mSec) Diode Suppressed		0.5		0.5	1.5 includes Bounce on N.C. Pole		

### REED RELAY SELECTION CHART *Shading denotes shortest lead time items.*

#### SERIES 47 MINI-SIP

Contact Arrangement	Nominal Coil Voltage (VDC)	Coil Resistance (ohms) ± 10% @ 25° C	Suppression Diode	Catalog Number			Schematics (Top View)
				Thru-Hole	Gull-Lead	J-Lead	
1A SPST N.O.	5	380	No	831A-1 831A-2	831A-1G 831A-2G	831A-1J 831A-2J	
			Yes	831A-3 831A-4	831A-3G 831A-4G	831A-3J 831A-4J	
	12	1000	No	831A-5 831A-6	831A-5G 831A-6G	831A-5J 831A-6J	
			Yes	831A-7 831A-8	831A-7G 831A-8G	831A-7J 831A-8J	
1B (See Note 3) SPST N.C.	5	200	No	831B-1 831B-2	831B-1G 831B-2G	831B-1J 831B-2J	
			Yes	831B-3 831B-4	831B-3G 831B-4G	831B-3J 831B-4J	
	12	500	No	831B-5 831B-6	831B-5G 831B-6G	831B-5J 831B-6J	
			Yes	831B-7 831B-8	831B-7G 831B-8G	831B-7J 831B-8J	
1C SPDT	5	200	No	831C-1 831C-2	831C-1G 831C-2G	831C-1J 831C-2J	
	12	500	No	831C-3 831C-4	831C-3G 831C-4G	831C-3J 831C-4J	
	24	1750	No	831C-5 831C-6	831C-5G 831C-6G	831C-5J 831C-6J	
1C SPDT	5	200	No	835C-1 835C-2	835C-1G 835C-2G	835C-1J 835C-2J	
	12	500	No	835C-3 835C-4	835C-3G 835C-4G	835C-3J 835C-4J	
	24	1750	No	835C-5 835C-6	835C-5G 835C-6G	835C-5J 835C-6J	
1C SPDT	5	200	No	836C-1 836C-2	836C-1G 836C-2G	836C-1J 836C-2J	
	12	500	No	836C-3 836C-4	836C-3G 836C-4G	836C-3J 836C-4J	
	24	2200	No	836C-5 836C-6	836C-5G 836C-6G	836C-5J 836C-6J	
2A DPST N.O.	5	200	No	832A-1 832A-2	832A-1G 832A-2G	832A-1J 832A-2J	
	12	500	No	832A-3 832A-4	832A-3G 832A-4G	832A-3J 832A-4J	
	24	1750	No	832A-5 832A-6	832A-5G 832A-6G	832A-5J 832A-6J	

Notes: All specifications are based on a 25° C ambient temperature.

1. Measured with nominal coil voltage applied (except Form B).
2. Higher voltages and/or current may be switched with life expectancy reduced.

3. Excessive voltage (maximum of 6.5 VDC for 5 VDC model, 15 VDC for 12 VDC model, and 28 VDC for 24 model), may cause contact reclosure on Form B models.
4. Consult factory for electrostatic shield and/or magnetic shield requirements.

Products and specifications subject to change without notice.  
Consult factory for application assistance.

1000 N. SECOND ST., ROGERS, AR 72756 USA / TEL: 800-643-3500 / 501-636-5000 / FAX: 501-636-2305